



Parking Guidance System

Parking Space Detector

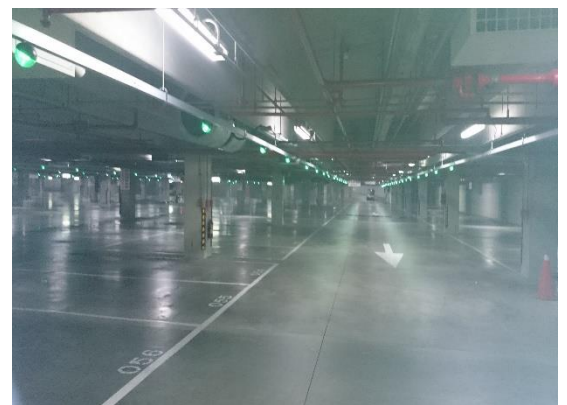
Ultrasonic Parking Space Detector (Front)

PD-256F Plus Dual Ultrasonic transmitter/receiver for reliable sensing

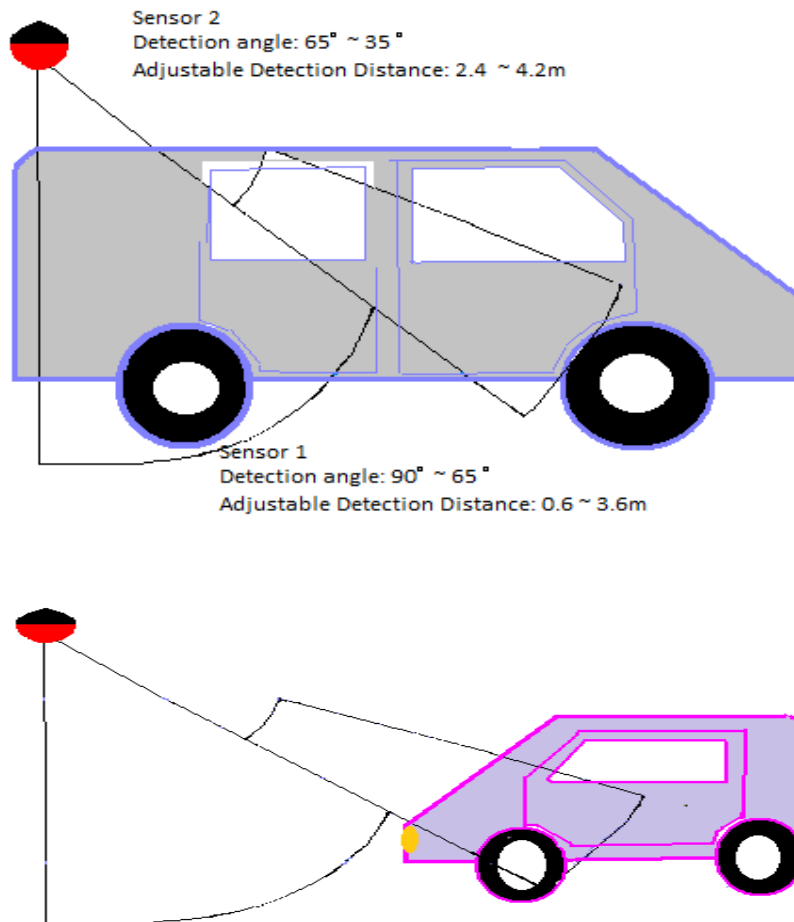


- Dual diagonal ultrasonic projection for installation at front of parking space, which has higher visibility compare to installations directly above the parking space.
- External control DIP switch to set detection ranges from 0.6 ~ 4.2 meters.
- Temperature effect on ultrasonic detection is automatically calibrated.
- Occupancy detection and LED status display in one device. Two dual-color combinations: red/green and red/blue LEDs with 360 degree viewing angle. Red, green, and blue lights indicate occupied, vacant, and vacant handicap lots, respectively.

- A separate mounting base with a detachable device module configuration makes installation and maintenance easier. A single dual-line cable communicates up to 256 detectors with a central controller. A single BUS provides power and circuitry with reduce the installation material cost by 45%.
- **PD-256F Plus** is a reliable and essential product for parking space inventory in a multi-story parking ramp.
- Integration of **PD-256F Plus** with the intelligent parking Ramp software is capable of directing the driver with Illuminated displays along the drive way from the entry to the pre-assigned space or from the parked space back to the exit.
- Fully transparent and waterproof ABS cover.



PD-256F Plus Ultrasonic Parking Space Detector



Specifications:

Model	PD-256F Plus
Input voltage	AC 24V (From zone controller P256TW)
Current input	< 18mA (From zone controller P256TW)
Adjustable detection distance	Sensor 1: 0.6 ~ 3.6m Sensor 2: 2.4 ~ 4.2m
Detection angle	Sensor 1 : 90° ~ 65° Sensor 2 : 65° ~ 35°
Frequency	40 KHz
Ambient temperature	-4°F-130°F(-20°C-55°C)
Environment	Indoor
Weight	~155g
Dimensions	Diameter x Height = 10 x 9.5 cm

Perfect Security & Machinery Co., Ltd.

7F-1, No. 8, Keelung Rd.,
Taipei 105, Taiwan, R.O.C.

Tel: 886-2-2747-7540

Fax: 886-2-2766-6851

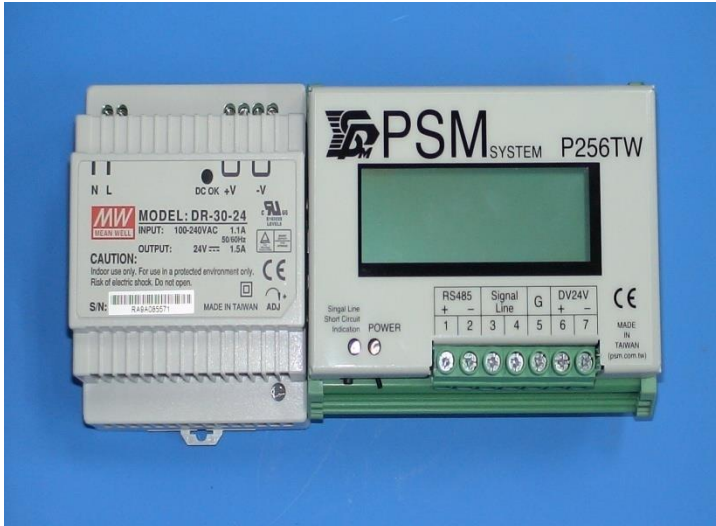
E-mail: psm.a8605@msa.hinet.net; sales@psm.com.tw



Parking Guidance System Data Acquisition/Controller

Parking Zone Controller

P256TW



Repeater

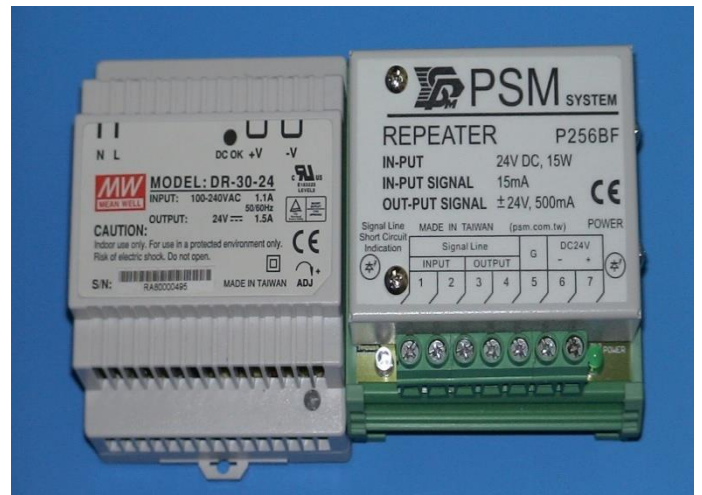
P256BF

Product Features :

- Dedicated product for ultrasonic radar detector PD-256
- Power input : 110-240VAC
- Up to 256 parking lot per zone controller
- Simplified wiring requirement: connecting all 256 detectors with only two wires which including power source to all detectors and two-way signal communications
- Synchronized data input/output at same time

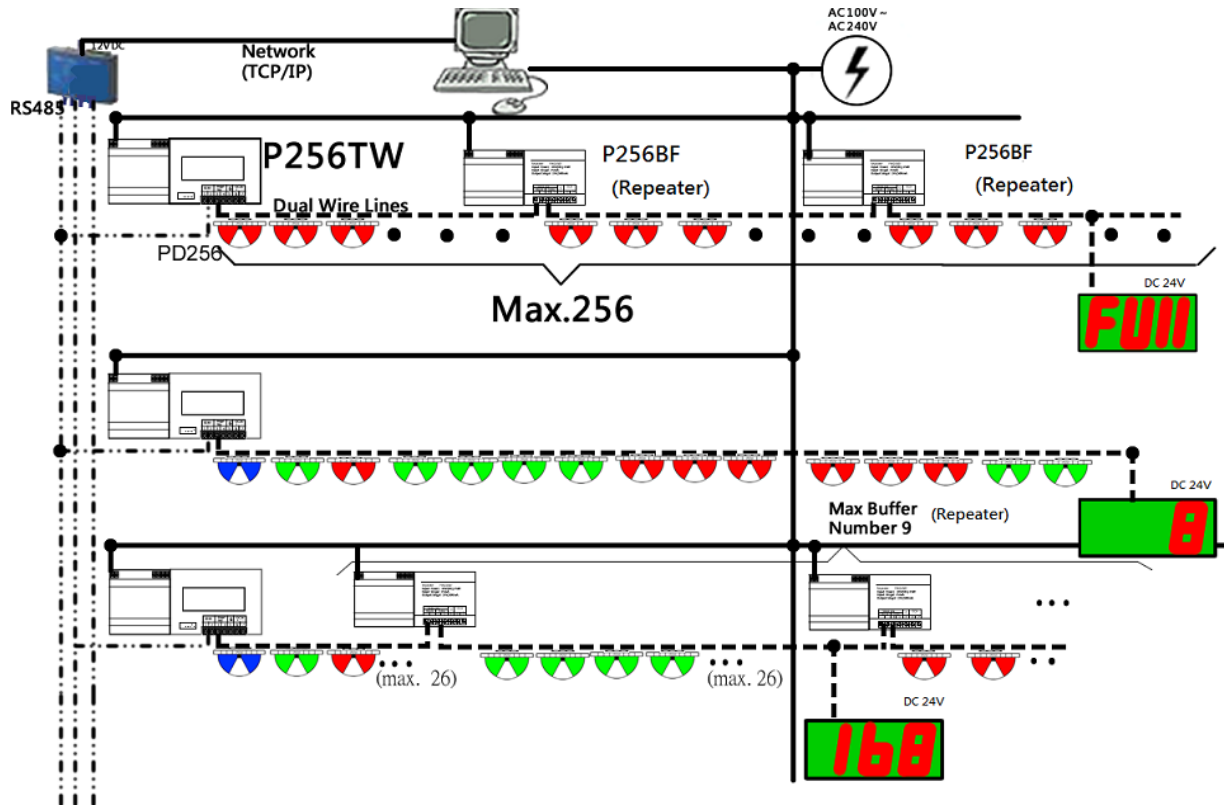
between the controller and individual detector to avoid interference among detectors

- Each controller with 256 sets of input and output connecting points : automatic or manual operation options on the outputs
- LED display on the zone controller reports all lot status (occupied/vacant/error) detected by up to 256 detectors
- Equipped with a hard data memory chip to store all current operating data avoiding restart problem due to incidental power loss
- The controller(s) remains functioning when the remote PC controller is offline
- Equipped with a RS485 communication hub compatible to MOD BUS setting for remote communication
- Power-overload protection included
- Galvanized steel with weather proof finishing for durability and aesthetic appearance



P256TW Parking Zone Controller

PD-256 Installation Diagram



Specifications :

Model No.		P256TW	P256BF
Input voltage		100 – 240VAC	
Current supply		< 500mA	
Ambient temperature		14°F-140°F(-10°C-60°C)	
Install Environment		Indoor	
Weight *	* Including	~667g	~515g
Dimension *	Power Supply	19.4×9.1×6.2(cm)	16.1×9.1×6.2(cm)

Perfect Security & Machinery Co., Ltd.
 7F-1, No. 8, Sec. 1, Keelung Rd., Taipei 105, Taiwan, R.O.C.
 Tel: +886-2-27477540 Fax: +886-2-27666851
 E-mail: psm.a8605@msa.hinet.net; sales@psm.com.tw
<http://www.psm.com.tw>

■ Local Representative :



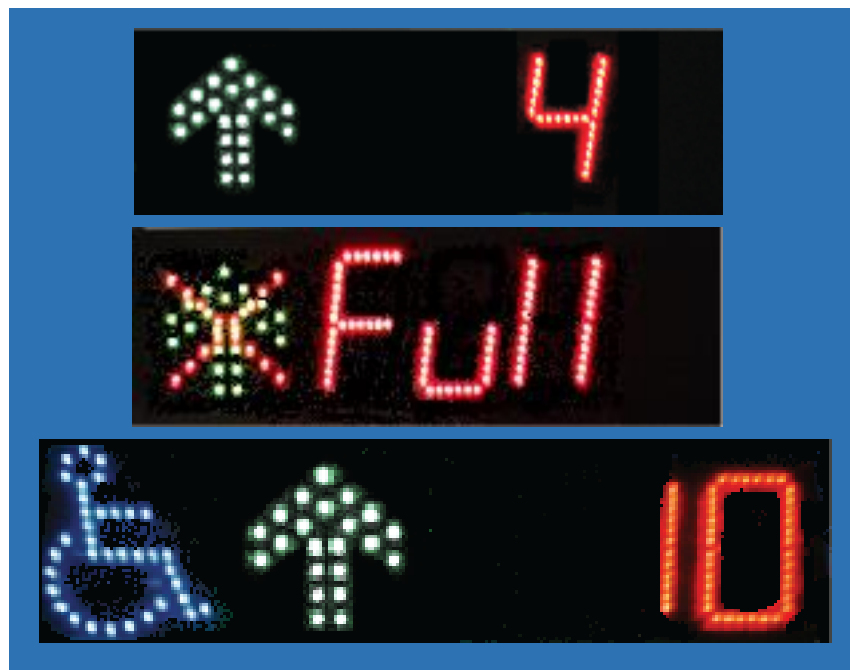
Parking Guidance System

Information Panel

P888-TW P888-RS485

Features:

- Highly visible and long life LED
- Displays number spaces left for assigned area
- Two wire connection for easy installation
- “Full” indicator when all assigned spaces are occupied
- Adjustable direction arrow (Up, Down, Left and Right)
- Optional disabled or customized notations.



Specifications:

Model No.	P-888-TW	P-888-RS485
Input Voltage	100V ~ 240V	
Power Consumption	<350mA	
Character Height	124mm	
Exterior Dimension	180mm x 520mm x 40mm	
Exterior Material	Metal with baked-on black paint finish Acrylic on display side	
Communication Interface	RS-232 and 2 wire	RS-485